

# AF200-AMBULANCE

## CONTAINER

Model NARMA Blood pack  
 Size W 290 x L 450 x H 180 mm  
 Weight 3.8 kg

## CERTIFICATION

Korea Certification (AF200)  
 European Conformity  
 Federal Communications Commission

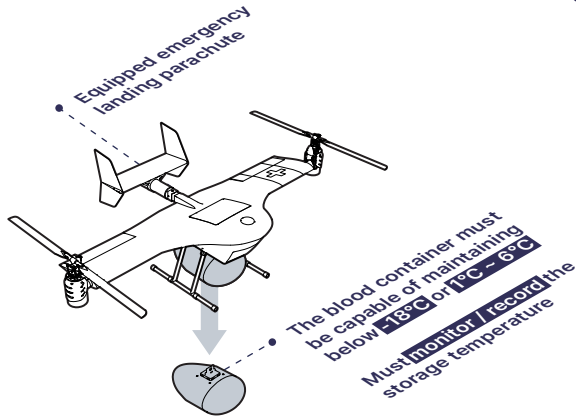
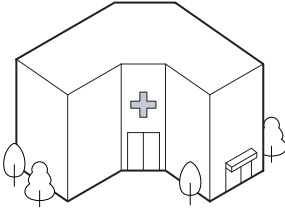
## HARDWARE

Drone Type Electric dual tilt-rotor (eVTOL)  
 Size W 1,830 x L 1,010 x H 520 mm  
 Payload / MTOW 3.8 kg / 20.8 kg (with batteries)  
 Propulsion 2 rotors during operation  
 Battery 4 Li-ion batteries (403 Wh each)  
 Avionics 2 GNSS systems, 2 Batteries  
 2 Magnetometers  
 Connectivity 1 Cellular data link (4G or 5G)  
 1 RF data & video link (5.8 GHz)

## OPERATION

Flight Speed 20 m/s default cruise speed  
 Climb Speed 2 m/s climb, 1.5 m/s descent  
 Max. Speed 30 m/s  
 Flight Distance 40 km  
 Flight Time 42 min  
 Max. Altitude 3,000 m AMSL  
 Landing Accuracy 1.5 m (0.1 m with RTK-optional)  
 Operating °C -5 ~ 40°C  
 Wind Resistance 12 m/s average wind, 17 m/s gusts  
 Weather Limits Operational in drizzle

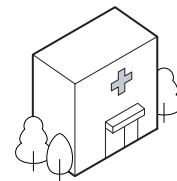
## MAJOR HOSPITAL



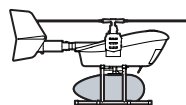
2 Prepare the drone container and select the branch hospital

1 Request emergency medication

## BRANCH HOSPITAL



4 Return flight



3 Automatic flight

